



Custom Aluminum Rod Quote/Order Form

* Fields In Red are Required

Customer Information			
Customer Name:*		Purchase Order:*	
Customer Account #:*		Sales Person:	
DIA Sales Order#:*		Order Date:	
Order Quantity:*		Requested Due Date:	

Customer Address

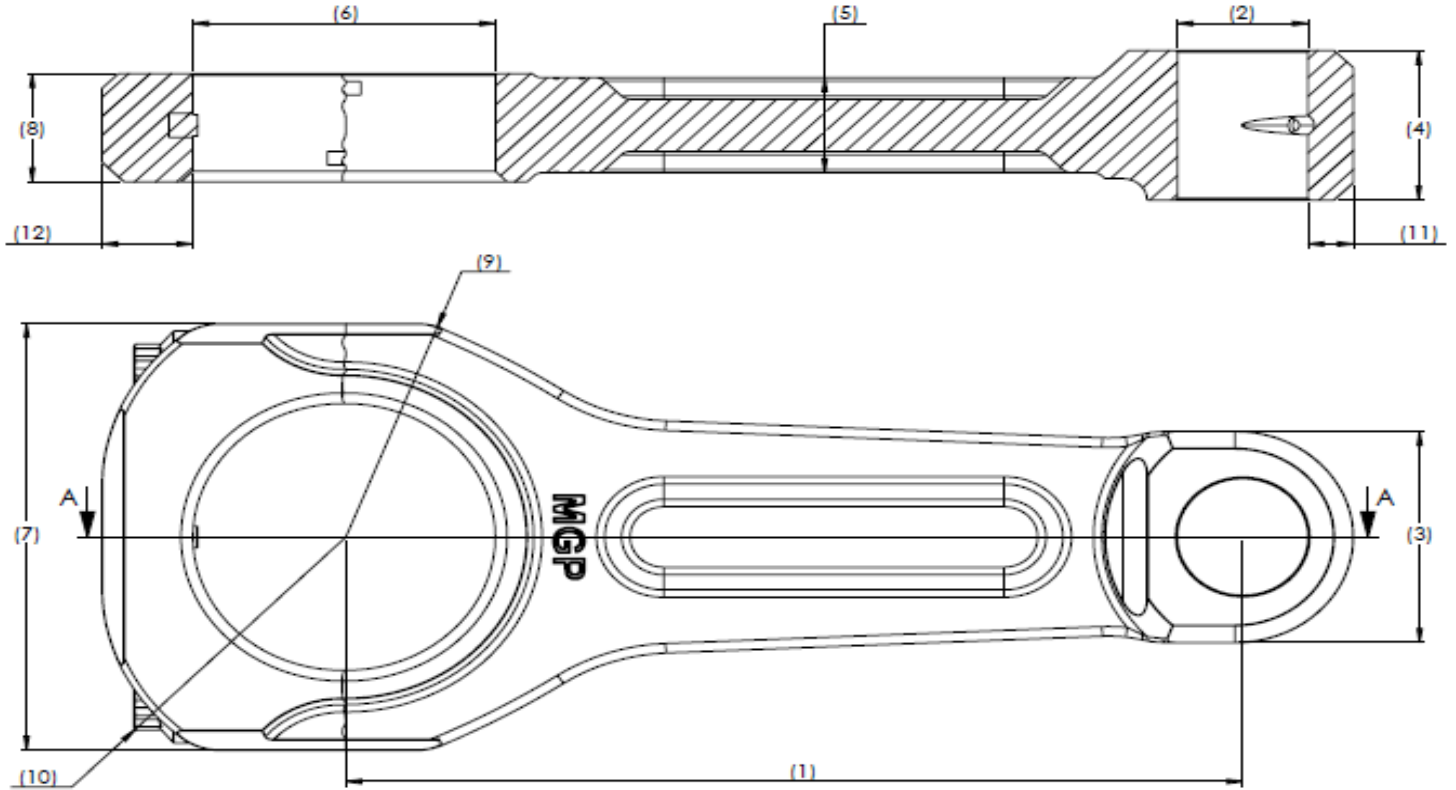
Ship To Address	

Ship Method	
FedEx	UPS

Engine and Application Specs			
(1) Center To Center:*		(6) Big End Housing Bore:*	
(2) Small End Bore:*		(7) Overall BE Width:	
Rod/Hard Bore Pin Fit:		(8) Big End Width:*	
(3) Overall SE Width:*		(10) Crank Pin Diameter:*	
(4) Small End Width:*		(11) SE Strap Thickness:*	
(5) Beam Width:*		Big End Offset:*	

Custom Billet Rod Specs			
Engine Base:*		Max RPM:*	
Application:*		Max Nitrous HP:*	
Min. Bore Size:		Max Boost PSI:*	
		Max Horsepower:*	

Special Rod Features			
Small End Taper:		Countweight Cut:	
Pocket Delete:*		Bolt Size:*	
Cam Cut Clearance:*		Bolt Material:*	



Special Notes

Blank area for special notes.